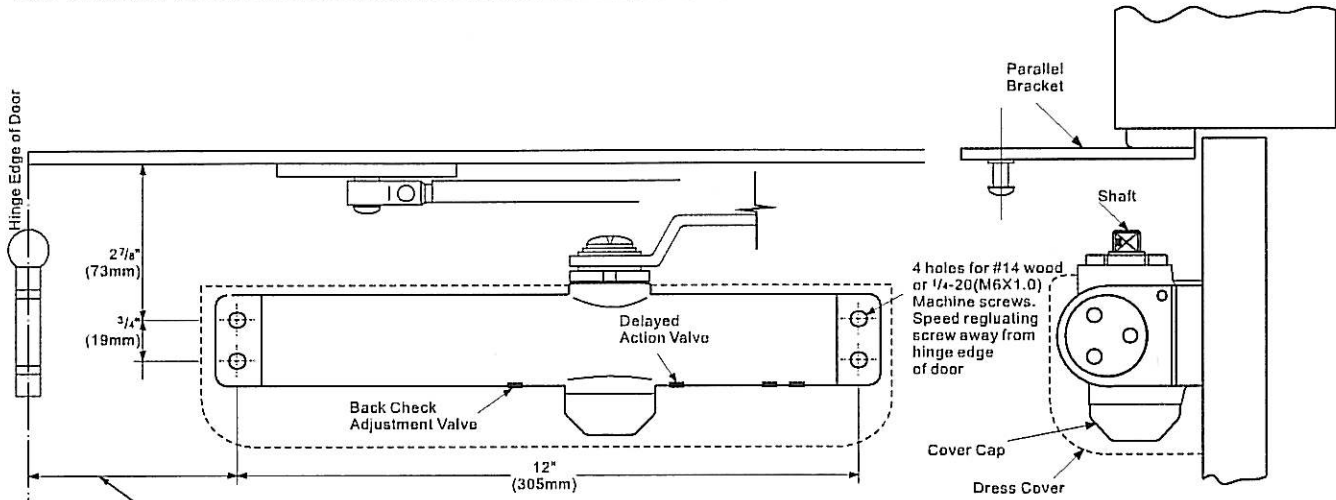




C.R. LAURENCE CO., INC.
 Phone Toll Free (800) 421-6144
 Fax Toll Free (800) 262-3299
 Website Address: www.crlaurence.com

PARALLEL ARM INSTALLATION CLOSER MOUNTED ON PUSH SIDE OF DOOR

THIS TEMPLATE COVERS REGULAR PARALLEL ARM INSTALLATIONS TO 180° OPENINGS.



LEFT HAND DOOR ILLUSTRATED
 Same dimensions apply for Right Hand Door measured from the hinge edge.

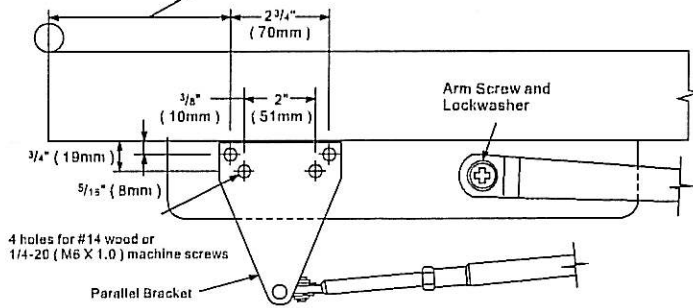
SPRING TENSION — Door Size Chart

Full turns of Spring adjustment nut	Maximum Door Width		
	Interior Door Size	Exterior Door Size Swing out	Swing in
2	32"(813)	28"(711)	24"(610)
4	36"(914)	32"(813)	28"(711)
6	42"(1067)	36"(914)	32"(813)
8	48"(1219)	42"(1067)	36"(914)
10	54"(1372)	48"(1219)	42"(1067)
11	Maximum Turns		

INSTALLATION INSTRUCTIONS

- Select degree of opening and use dimensions shown in above template to mark four holes on door for closer and four holes on frame for parallel bracket.
- Drill pilot holes in door and frame for #14 wood screws or drill and tap for 1/4-20 (M6x1.0) machine screws.
- Mount closer on door WITH SPEED REGULATING SCREW AWAY FROM HINGE EDGE.
- Attach parallel bracket to door stop as illustrated.
- Using a wrench on the square shaft on bottom of closer, rotate shaft approximately 45° toward hinge edge of door. Hold and place main arm on shaft on top of closer at proper index mark as illustrated. FOR LEFT HAND DOOR No. 3 (illustration "A"). FOR RIGHT HAND DOOR No. 2 (illustration "B"). Tighten arm screw with lockwasher securely.
- Remove the arm shoe from the forearm (arm shoe is not used in this application) and place forearm on parallel bracket stud and tighten screw securely.
- Adjust length of forearm so when it is attached to main arm, the main arm will be slightly away from parallel with closed door, and assemble at elbow then tighten locknut.

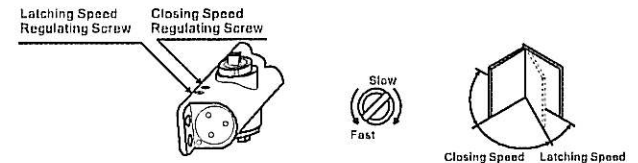
FOR OPENING TO 120° — 9" (229mm)
 FOR OPENING 120° TO 180° — 7 3/4" (194mm)



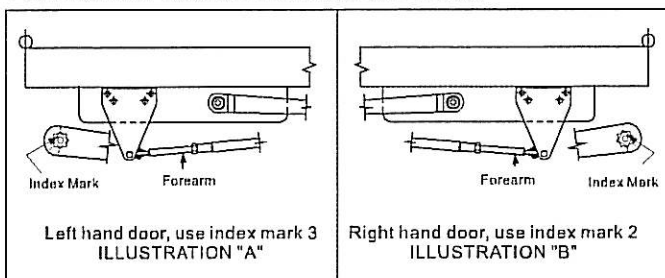
ADJUSTMENT INSTRUCTIONS

CLOSING POWER — As per "Spring Tension Chart" select the correct number of turns for spring adjustment nut that corresponds with the installation. Using 3/16" (5mm) allen key, turn adjustment nut full 360° clockwise turns to desired setting.

SPEED — Door closing and latching speeds are controlled by #1, #2 speed regulating screw separately.
 A. Clockwise turns slow the speed. B. Counterclockwise turns increase the speed.



POSITION OF ARMS AND INDEX SETTINGS



BACK-CHECK ADJUSTMENT is controlled by the adjustment valve, BACK-CHECK is now set for soft action. To INCREASE Back-check action turn valve CLOCKWISE. To DECREASE, or to TURN OFF Back-check action turn valve COUNTERCLOCKWISE.

DELAYED CLOSING ACTION — is controlled by the Delayed Closing Action Adjustment Valve marked DA on the closer. Delayed Closing Action is now truned off. To TURN ON, or to INCREASE Delayed Closing Action turn valve CLOCKWISE to desired delay time. To DECREASE, or to TRUN OFF Delayed Closing Action turn valve COUNTERCLOCKWISE.

DRESS COVER Cutout correct notch for shaft and place dress cover over closer. Attach with truss head machine screw provided, or push COVER CAP over shaft without DRESS COVER.